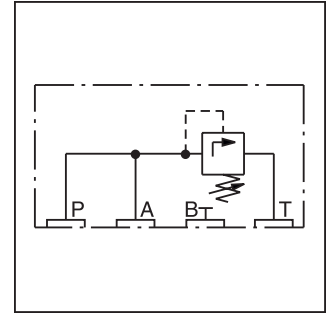


**Pilot Valve with Pressure Relief  
 Function R06M  
 Subplate Mounting NG6  
 (see Combination Examples)  
 MTTF<sub>D</sub> value 150 years**



**Ordering Information**

<b>R06M</b>	□ Pressure Range	□ Pressure Adjustment	<b>4</b> Pilot Oil	□ Seal	□ □ Design Series NOTE: Not required when ordering.
-------------	---------------------	--------------------------	-----------------------	-----------	--

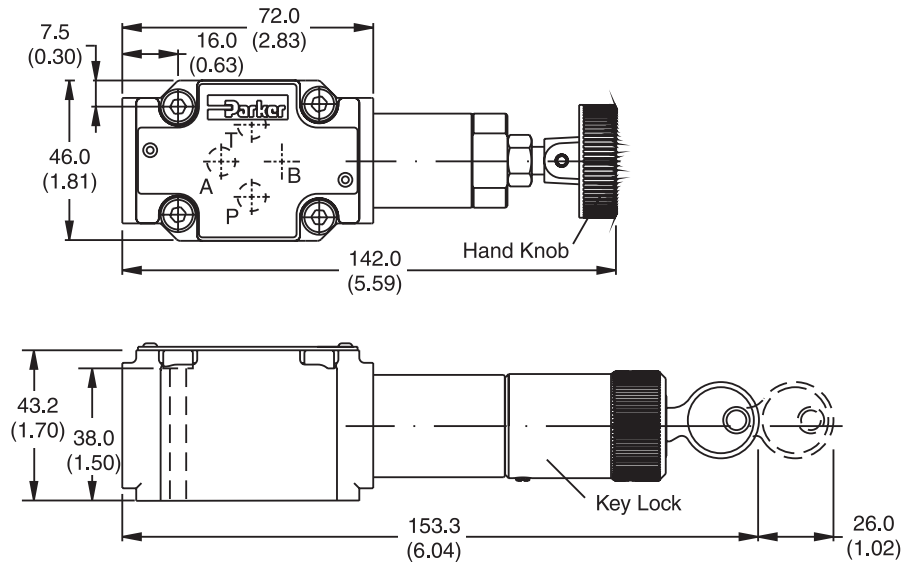
  

Code	Description
10	105 Bar (1523 PSI)
17	175 Bar (2538 PSI)
21	210 Bar (3045 PSI)
25	250 Bar (3625 PSI)
35	350 Bar (5075 PSI)

Code	Description
S	Hand knob (standard)
L	Key lock

Code	Description
N	Nitrile
V	Fluorocarbon

**Dimensions R06M**



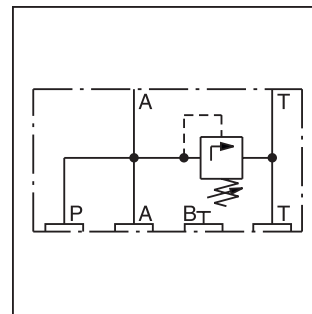
**Replaces DSDA (P07)**

**Pilot Valve with Pressure Relief  
 Function RS06M**

**Sandwich Plate Mounting NG6**

(see Combination Examples)

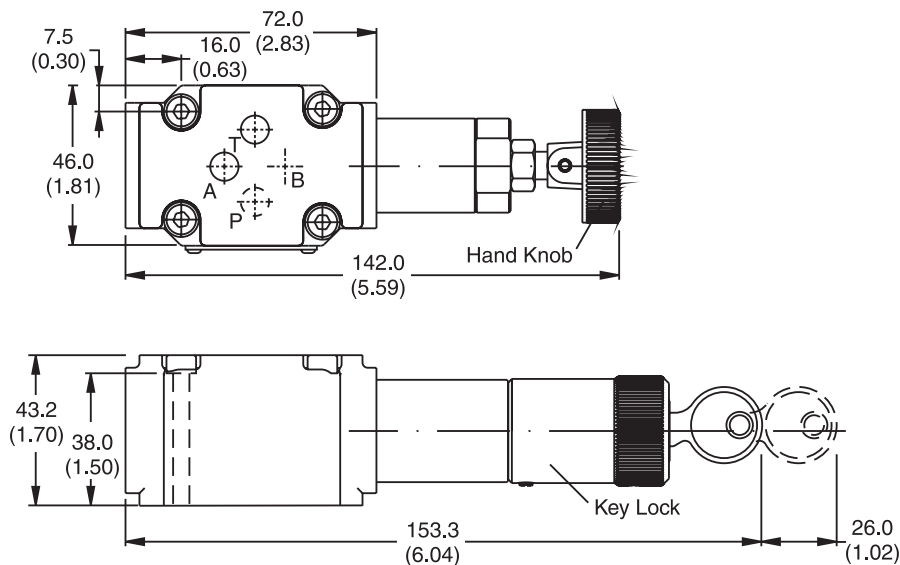
MTTF<sub>D</sub> value 150 years



**Ordering Information**

<b>RS06M</b>	□ Pressure Range	□ Pressure Adjustment	<b>4</b> Pilot Oil	□ Seal	□ □ Design Series NOTE: Not required when ordering.																								
<table border="1"> <thead> <tr> <th>Code</th> <th>Description</th> </tr> </thead> <tbody> <tr> <td>10</td> <td>105 Bar (1523 PSI)</td> </tr> <tr> <td>17</td> <td>175 Bar (2538 PSI)</td> </tr> <tr> <td>21</td> <td>210 Bar (3045 PSI)</td> </tr> <tr> <td>25</td> <td>250 Bar (3625 PSI)</td> </tr> <tr> <td>35</td> <td>350 Bar (5075 PSI)</td> </tr> </tbody> </table>	Code	Description	10	105 Bar (1523 PSI)	17	175 Bar (2538 PSI)	21	210 Bar (3045 PSI)	25	250 Bar (3625 PSI)	35	350 Bar (5075 PSI)	<table border="1"> <thead> <tr> <th>Code</th> <th>Description</th> </tr> </thead> <tbody> <tr> <td>S</td> <td>Hand knob (standard)</td> </tr> <tr> <td>L</td> <td>Key lock</td> </tr> </tbody> </table>	Code	Description	S	Hand knob (standard)	L	Key lock	<table border="1"> <thead> <tr> <th>Code</th> <th>Description</th> </tr> </thead> <tbody> <tr> <td>N</td> <td>Nitrile</td> </tr> <tr> <td>V</td> <td>Fluorocarbon</td> </tr> </tbody> </table>	Code	Description	N	Nitrile	V	Fluorocarbon			
Code	Description																												
10	105 Bar (1523 PSI)																												
17	175 Bar (2538 PSI)																												
21	210 Bar (3045 PSI)																												
25	250 Bar (3625 PSI)																												
35	350 Bar (5075 PSI)																												
Code	Description																												
S	Hand knob (standard)																												
L	Key lock																												
Code	Description																												
N	Nitrile																												
V	Fluorocarbon																												

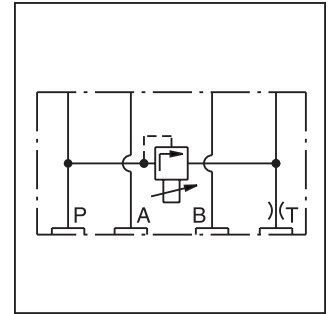
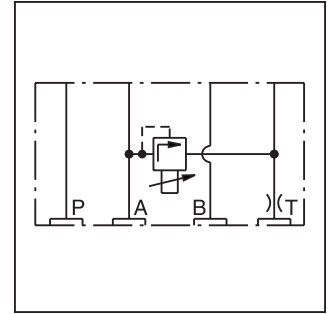
**Dimensions RS06M**



**Replaces DSDA (Z07)**

**Pilot Valve with Proportional Relief  
 Function RPDM2\***  
**Sandwich Mounting NG6**  
 (see Combination Examples)  
 MTTF<sub>D</sub> value 150 years

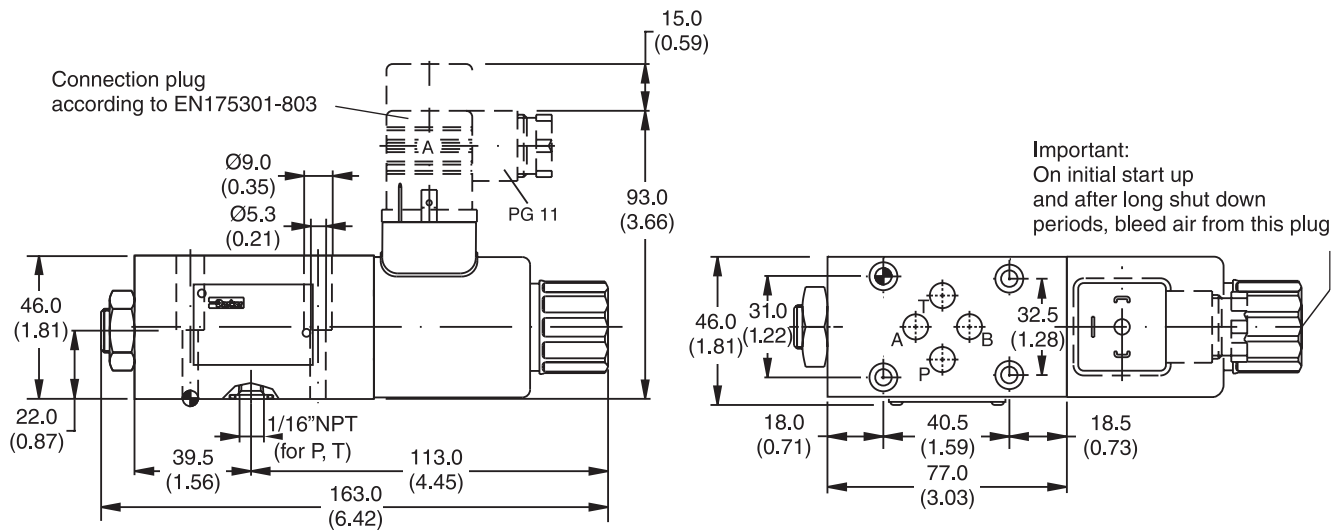
\* For technical details see Series RE06M\*W.



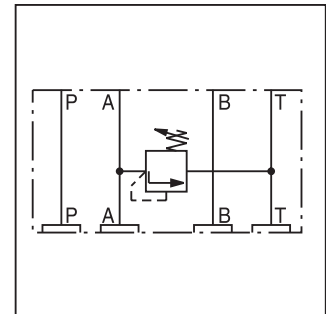
**Ordering Information**

<b>RPDM</b>	<div style="border: 1px solid black; width: 20px; height: 20px; margin: 0 auto; display: flex; align-items: center; justify-content: center;">2</div> <p>Pressure Adjustment</p>	<div style="border: 1px solid black; width: 20px; height: 20px; margin: 0 auto; display: flex; align-items: center; justify-content: center;">□</div> <p>Pressure Relief</p>	<div style="border: 1px solid black; width: 20px; height: 20px; margin: 0 auto; display: flex; align-items: center; justify-content: center;">□</div> <p>Pressure Range</p>	<div style="border: 1px solid black; width: 20px; height: 20px; margin: 0 auto; display: flex; align-items: center; justify-content: center;">□</div> <p>Solenoid Voltage</p>	<div style="border: 1px solid black; width: 20px; height: 20px; margin: 0 auto; display: flex; align-items: center; justify-content: center;">V</div> <p>Seal Fluorocarbon</p>	<div style="border: 1px dashed black; width: 20px; height: 20px; margin: 0 auto; display: flex; align-items: center; justify-content: center;">□</div> <p>Design Series</p>																							
	<table border="1" style="width: 100%; border-collapse: collapse;"> <thead> <tr> <th style="width: 15%;">Code</th> <th style="width: 85%;">Description</th> </tr> </thead> <tbody> <tr> <td>AT</td> <td>A to T</td> </tr> <tr> <td>PT</td> <td>P to T</td> </tr> </tbody> </table>		Code	Description	AT	A to T	PT	P to T	<table border="1" style="width: 100%; border-collapse: collapse;"> <thead> <tr> <th style="width: 15%;">Code</th> <th style="width: 85%;">Description</th> </tr> </thead> <tbody> <tr> <td>10</td> <td>105 Bar (1523 PSI)</td> </tr> <tr> <td>17</td> <td>175 Bar (2538 PSI)</td> </tr> <tr> <td>25</td> <td>250 Bar (3625 PSI)</td> </tr> <tr> <td>35</td> <td>350 Bar (5075 PSI)</td> </tr> </tbody> </table>		Code	Description	10	105 Bar (1523 PSI)	17	175 Bar (2538 PSI)	25	250 Bar (3625 PSI)	35	350 Bar (5075 PSI)	<table border="1" style="width: 100%; border-collapse: collapse;"> <thead> <tr> <th style="width: 15%;">Code</th> <th style="width: 85%;">Description</th> </tr> </thead> <tbody> <tr> <td>K</td> <td>12V, 2.3A</td> </tr> <tr> <td>X</td> <td>16V, 1.3A</td> </tr> </tbody> </table>		Code	Description	K	12V, 2.3A	X	16V, 1.3A	<p>NOTE: Not required when ordering.</p>
Code	Description																												
AT	A to T																												
PT	P to T																												
Code	Description																												
10	105 Bar (1523 PSI)																												
17	175 Bar (2538 PSI)																												
25	250 Bar (3625 PSI)																												
35	350 Bar (5075 PSI)																												
Code	Description																												
K	12V, 2.3A																												
X	16V, 1.3A																												

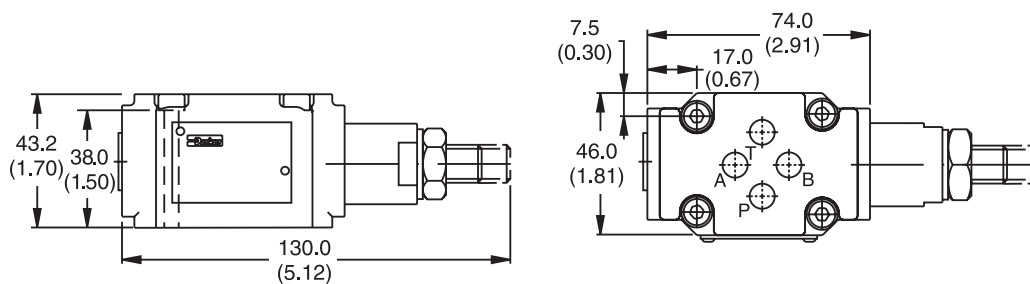
**Dimensions RPDM2**



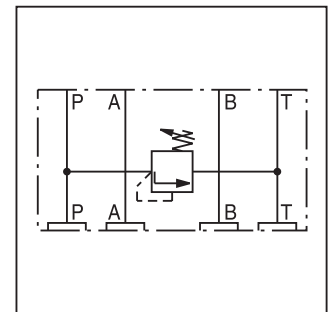
**Sandwich Valve with Pressure Relief  
 Function ZUD\*AT\*Z\***  
**Sandwich Plate Mounting NG6**  
 (see Combination Examples)  
 MTTF<sub>D</sub> value 150 years



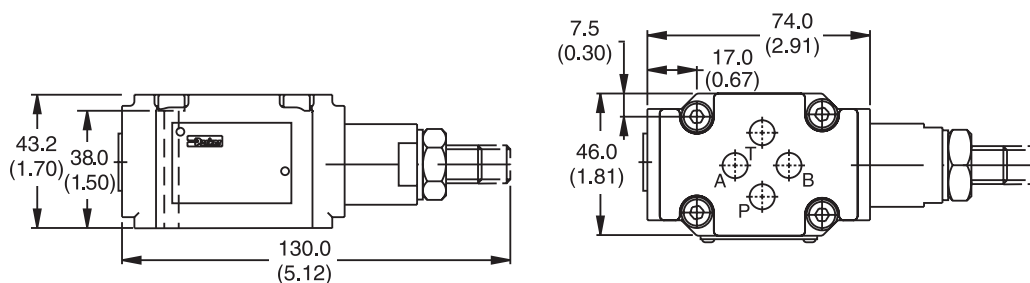
□	—	<b>ZUDB1AT</b>	□	<b>Z07</b>	□
Seal			Pressure Adjustment		Pressure Range
<b>Code</b>	<b>Description</b>	<b>Code</b>	<b>Description</b>	<b>Code</b>	<b>Description</b>
Omit	Nitrile	2	Hexagon Screw with Locknut	B	70 Bar (1015 PSI)
V	Fluorocarbon	61	Knob E10 Lock	E	175 Bar (2538 PSI)
				G	250 Bar (3625 PSI)
				K	350 Bar (5075 PSI)



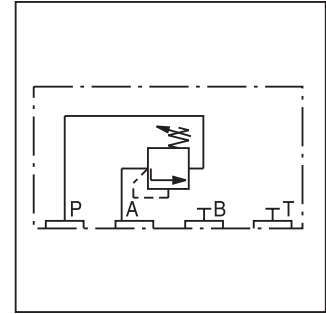
**Sandwich Valve with Pressure Relief  
 Function ZUD\*PT\*Z\***  
**Sandwich Plate Mounting NG6**  
 (see Combination Examples)  
 MTTF<sub>D</sub> value 150 years



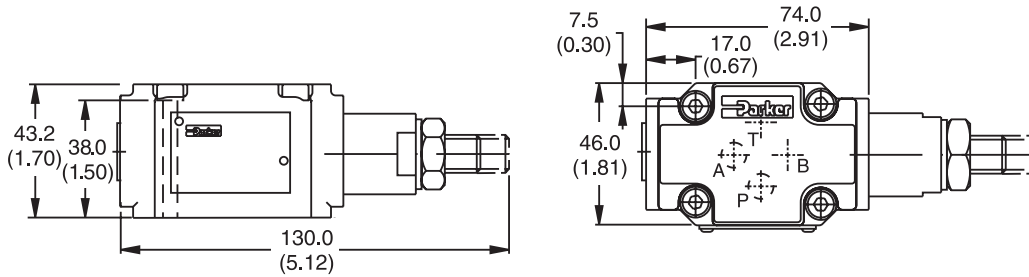
□	—	<b>ZUDB1PT</b>	□	<b>Z07</b>	□
Seal			Pressure Adjustment		Pressure Range
<b>Code</b>	<b>Description</b>	<b>Code</b>	<b>Description</b>	<b>Code</b>	<b>Description</b>
Omit	Nitrile	2	Hexagon Screw with Locknut	B	70 Bar (1015 PSI)
V	Fluorocarbon	61	Knob E10 Lock	E	175 Bar (2538 PSI)
				G	250 Bar (3625 PSI)
				K	350 Bar (5075 PSI)



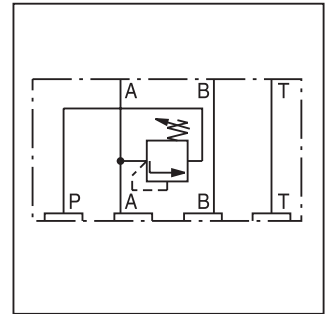
**Pilot Valve with Preload Function DSB\*P\***  
**Subplate Mounting NG6**  
 (see Combination Examples)  
 MTTFD value 150 years



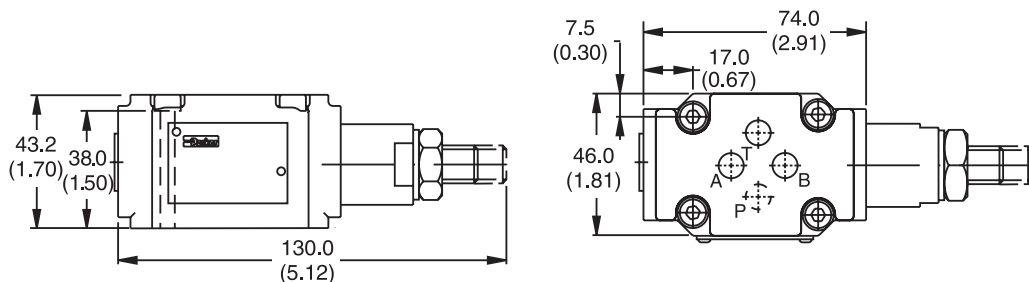
<input type="checkbox"/>	<b>DSBA100</b>	<input type="checkbox"/>	<b>P07</b>	<input type="checkbox"/>	
Seal		Pressure Adjustment		Pressure Range	
<b>Code</b>	<b>Description</b>	<b>Code</b>	<b>Description</b>	<b>Code</b>	<b>Description</b>
Omit	Nitrile	2	Hexagon Screw with Locknut	B	70 Bar (1015 PSI)
V	Fluorocarbon	61	Knob E10 Lock	E	175 Bar (2538 PSI)
				G	250 Bar (3625 PSI)
				K	350 Bar (5075 PSI)



**Pilot Valve with Preload Function DSB\*Z\***  
**Sandwich Plate Mounting NG6**  
 (see Combination Examples)  
 MTTFD value 150 years



<input type="checkbox"/>	<b>DSBA100</b>	<input type="checkbox"/>	<b>Z07</b>	<input type="checkbox"/>	
Seal		Pressure Adjustment		Pressure Range	
<b>Code</b>	<b>Description</b>	<b>Code</b>	<b>Description</b>	<b>Code</b>	<b>Description</b>
Omit	Nitrile	2	Hexagon Screw with Locknut	B	70 Bar (1015 PSI)
V	Fluorocarbon	61	Knob E10 Lock	E	175 Bar (2538 PSI)
				G	250 Bar (3625 PSI)
				K	350 Bar (5075 PSI)



**Pilot Valve with Unloading Function UR06M  
 Subplate Mounting NG6**

(see Combination Examples)

MTTF<sub>D</sub> value 150 years

<b>UR</b>	<b>06</b>	<b>M</b>	<input type="checkbox"/>	<input type="checkbox"/>	<b>4</b>	<input type="checkbox"/>
	Pressure Range	Pressure Adjustment	Pilot Oil Drain Internal	Seal		

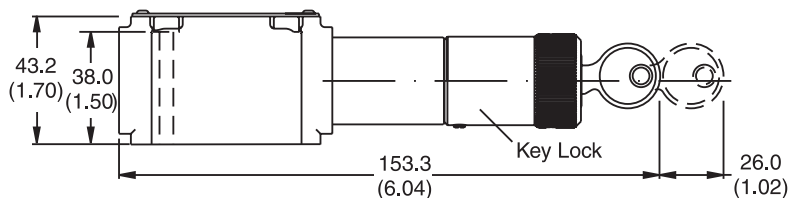
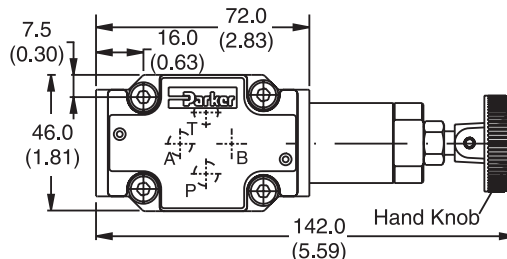
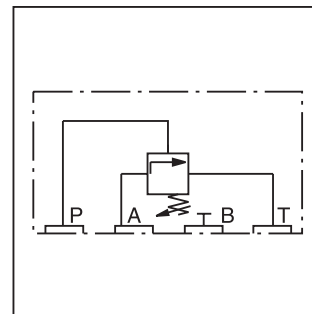
Code	Description
07	70 Bar (1015 PSI)
17	175 Bar (2538 PSI)
25	250 Bar (3625 PSI)
35	350 Bar (5075 PSI)

Code	Description
S	Hand knob
L	Key lock

Code	Description
N	Nitrile
V	Fluorocarbon



**Replaces DAFA (P07)**

**Pilot Valve with Unloading Function US06M  
 Subplate Mounting NG6**

(see Combination Examples)

MTTF<sub>D</sub> value 150 years

<b>US</b>	<b>06</b>	<b>M</b>	<input type="checkbox"/>	<input type="checkbox"/>	<b>4</b>	<input type="checkbox"/>
	Pressure Range	Pressure Adjustment	Pilot Oil Drain Internal	Seal		

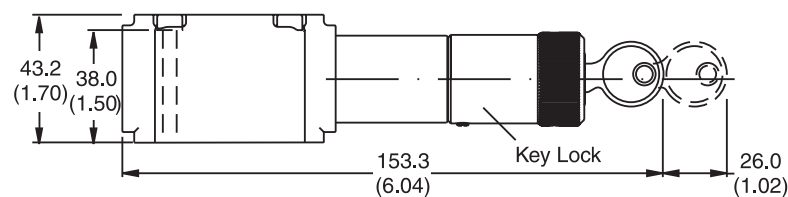
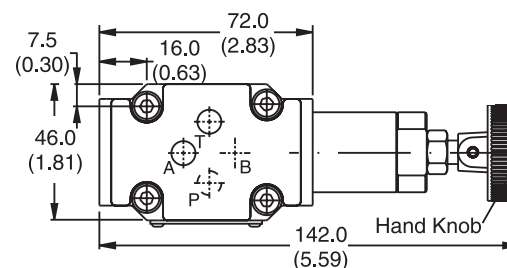
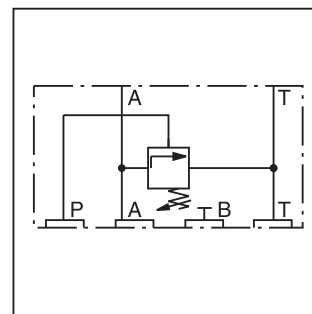
Code	Description
07	70 Bar (1015 PSI)
17	175 Bar (2538 PSI)
25	250 Bar (3625 PSI)
35	350 Bar (5075 PSI)

Code	Description
S	Hand knob
L	Key lock

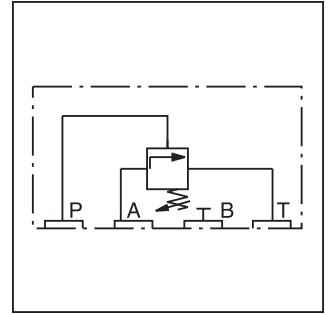
  

Code	Description
N	Nitrile
V	Fluorocarbon



**Replaces DAFA (Z07)**

**Pilot Valve with Pressure Sequence  
 Function S06M  
 Subplate Mounting NG6  
 (see Combination Examples)  
 MTTF<sub>D</sub> value 150 years**



**Ordering Information**

<b>S06M</b>	□ Pressure Range	□ Pressure Adjustment	<b>4</b> Pilot Oil Inlet Internal/Outlet Internal	□ Seal	□ □ Design Series NOTE: Not required when ordering.
-------------	---------------------	--------------------------	--	-----------	--

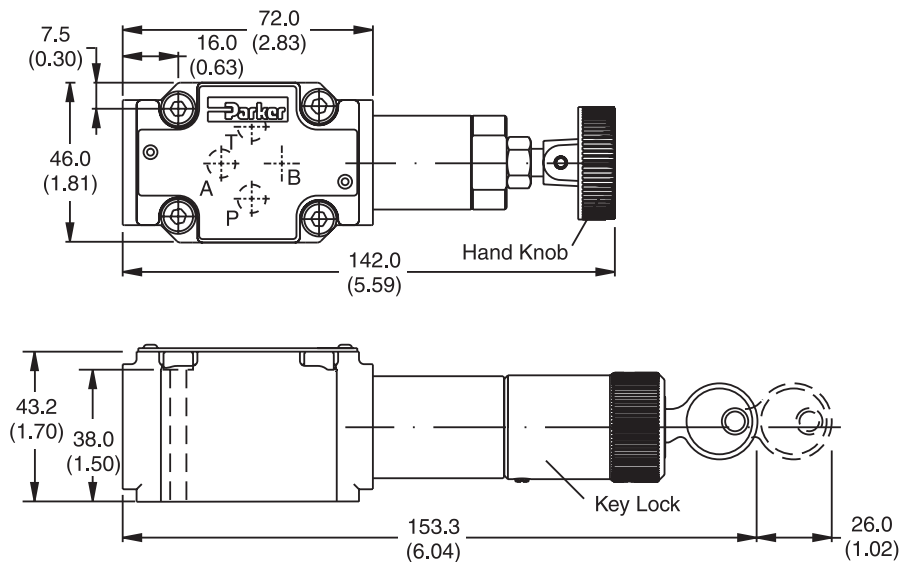
  

Code	Description
10	105 Bar (1523 PSI)
17	175 Bar (2538 PSI)
21	210 Bar (3045 PSI)
25	250 Bar (3625 PSI)
35	350 Bar (5075 PSI)

Code	Description
S	Hand knob (standard)
L	Key lock

Code	Description
N	Nitrile
V	Fluorocarbon

**Dimensions S06M**



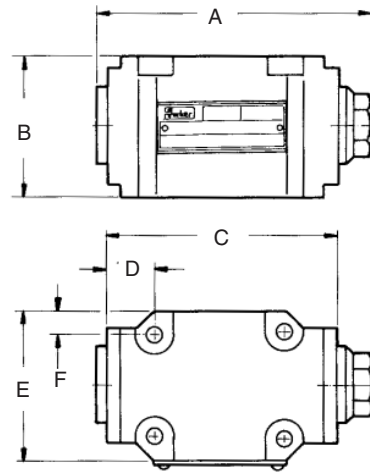
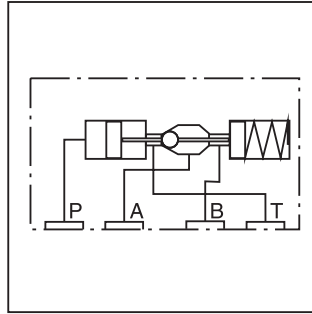
**Replaces DNLA**

**Check Valve  
 Hydraulically Pilot Operated NG6**

Size NG6 with pilot control for subplate assembly

**Ordering Information**

**SVLA1006P07**



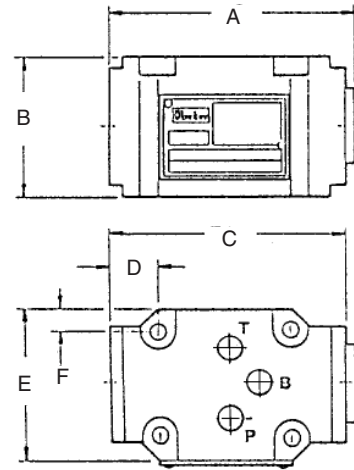
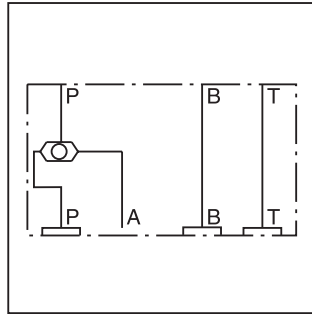
Dimension	A	B	C	D	E	F
mm	92.0	43.2	74.0	17.0	46.0	7.5
(in.)	(3.62)	(1.70)	(2.91)	(0.67)	(1.81)	(0.30)

**Shuttle Valve  
 Sandwich Plate NG6**

Size NG6 with pilot control for subplate assembly

**Ordering Information**

**ZSRA1PP0Z07**



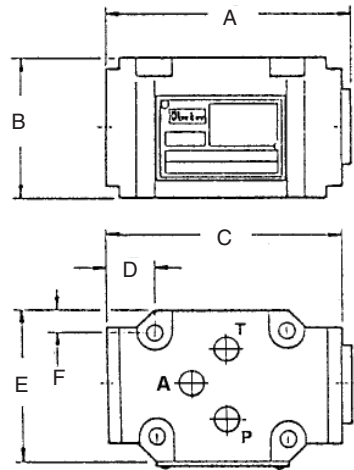
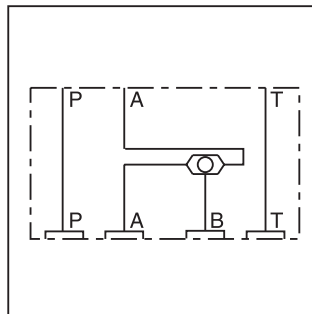
Dimension	A	B	C	D	E	F
mm	80.0	43.2	74.0	17.0	46.0	7.5
(in.)	(3.15)	(1.70)	(2.91)	(0.67)	(1.81)	(0.30)

**Shuttle Valve  
 Sandwich Plate NG6**

Size NG6 with pilot control for subplate assembly

**Ordering Information**

**ZSRB1AA0Z07**



Dimension	A	B	C	D	E	F
mm	80.0	43.2	74.0	17.0	46.0	7.5
(in.)	(3.15)	(1.70)	(2.91)	(0.67)	(1.81)	(0.30)

Accessories.indd, ddp

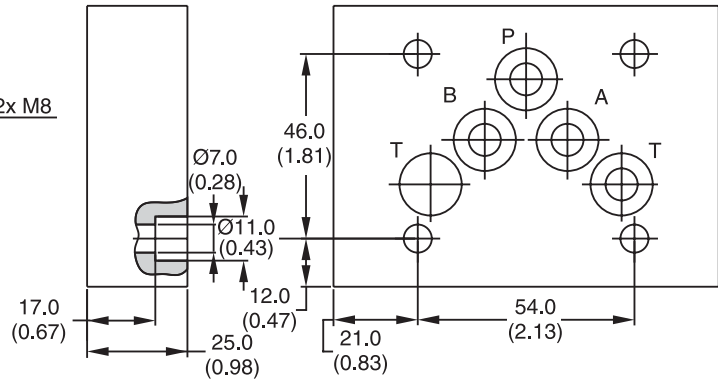
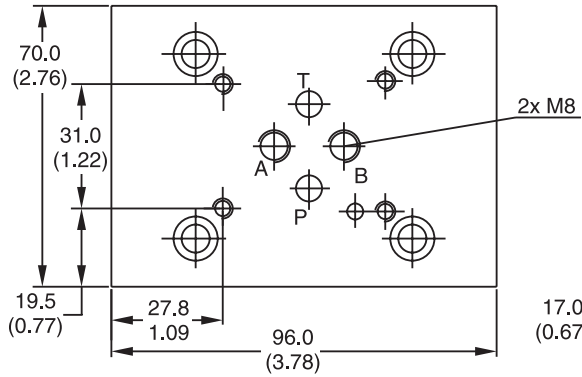
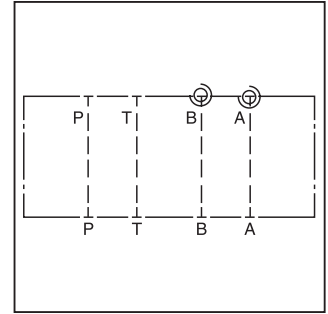
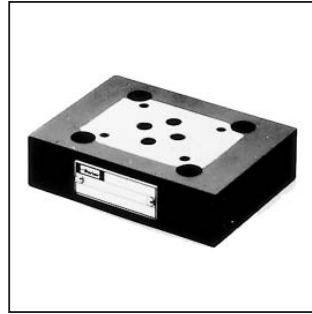


**Adapter Plate**

Size NG6 to NG10

**Ordering Information**

**PADA1007/A-A/B-B**

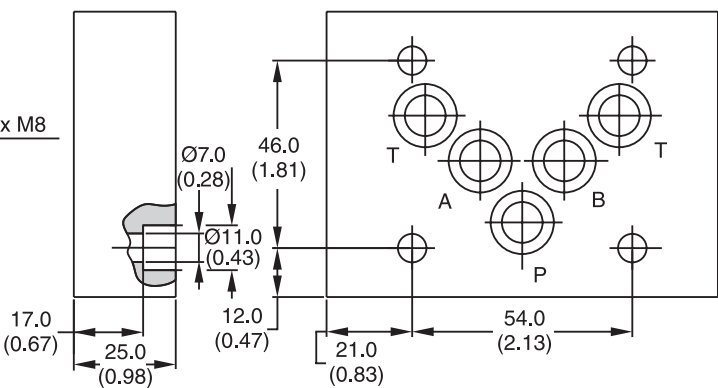
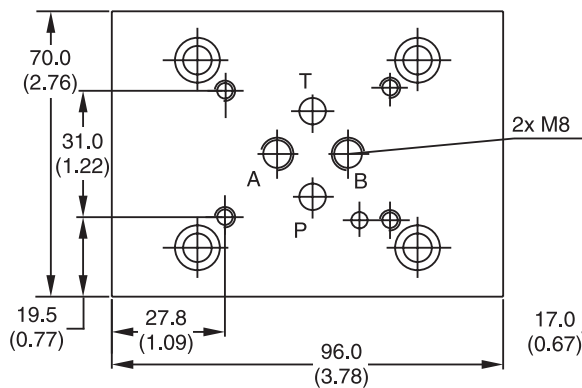
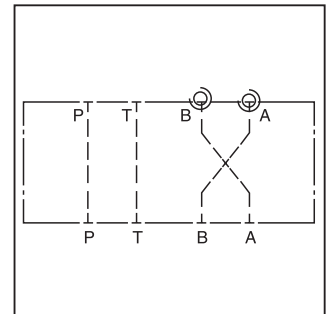


**Adapter Plate**

Size NG6 to NG10

**Ordering Information**

**PADA1007/A-B/B-A**



**Attention:**

For NG50 and larger: If pilot system NG06 is used, mount adapter plate PADA 1007/A-B/B-A or PADA 1007/A-A/B-B (NG10 to NG6) on cover.

Adapter Plate: PADA 1007/A-B/B-A or PADA 1007/A-A/B-B

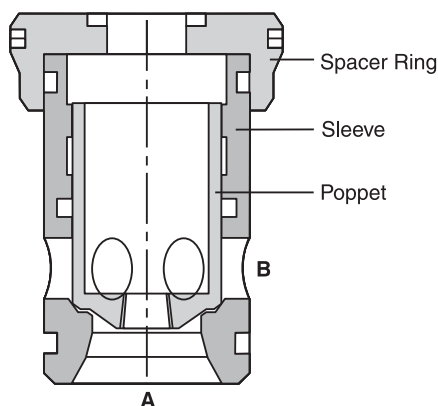
Sealing Kit: SK-PADA 1007

Bolt Kit: BK136

Symbol	Type	Size	Height
	PADA 1007/A-A/B-B	NG10-NG6	25.0mm (0.98 in.)
	PADA 1007/A-B/B-A	NG10-NG6	25.0mm (0.98 in.)
	H06-1044	NG6	30.0mm (1.18 in.)
	H06-1039	NG6	30.0mm (1.18 in.)
	H06-504	NG6	30.0mm (1.18 in.)
	H06-711	NG6	30.0mm (1.18 in.)
	H06-1274	NG6	30.0mm (1.18 in.)
	H06-1040	NG6	30.0mm (1.18 in.)

Symbol	Type	Size	Height
	H06DO-1291	NG6	10.0mm (0.39 in.)
	H06DU-814	NG6	71.3mm (2.81 in.)
	SPD2T2SWS35	NG6	25.4mm (1.00 in.)
	CS06082N	NG6	40.3mm (1.59 in.)
	SPD2A1*NS35	NG6	19.1mm (0.75 in.)
	D51VP071D	NG6	26.3mm (1.04 in.)
	SPD2C1*NS35 SPD3C1*NS35	NG6 NG10	19.1mm (0.75 in.) 19.1mm (0.75 in.)

**Poppets, Cages, Spacer Rings**



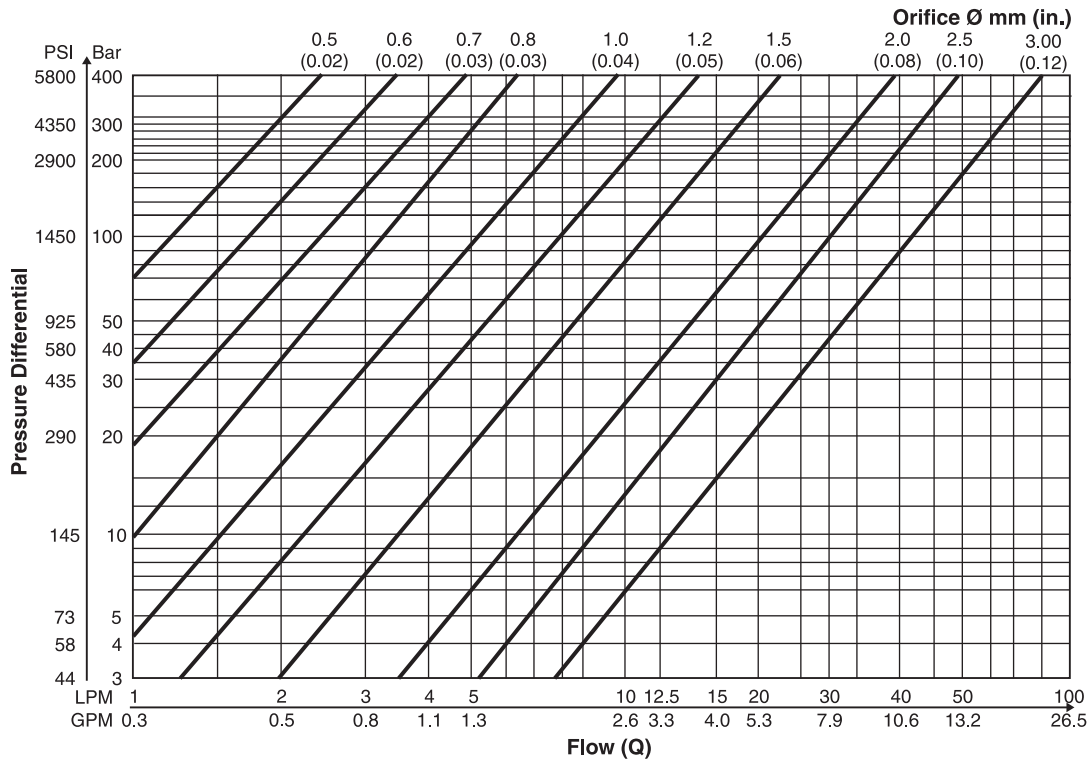
Size	NG16	NG25	NG32	NG40	NG50	NG63	NG80	NG100
Poppet 01	RK-45036369	RK-45036379	RK-45036392	RK-45036409	RK-45036421	RK-45036437	RK-35036449	RK-35036467
Poppet 04	RK-45036370	RK-45036380	RK-45036395	RK-45036406	RK-45036422	RK-45036436	RK-35036460	RK-35036468
Poppet 07	RK-35037531	RK-45036964	RK-45036965	RK-45036966	RK-45036967	RK-45036968	—	—
Poppet 08	RK-45036368	RK-45036381	RK-45036391	RK-45036408	RK-45036424	RK-45036438	RK-35036459	RK-35036469
CE-Sleeve	RK-35038871	RK-35038872	RK-35038873	RK-35036403	RK-35036417	RK-35036432	RK-25036452	RK-25036470
CP-Sleeve	RK-35039384	RK-35039385	RK-35039386	RK-35039387	RK-35039388	RK-35039389	—	—
Spacer Ring	RK-35036364	RK-35036375	RK-35036393	RK-35036402	RK-35036416	RK-35036435	RK-25036453	RK-25036471

**Springs, Seals, Fitting Bolts**

Size	NG16	NG25	NG32	NG40	NG50	NG63	NG80	NG100
<b>Spring *</b>								
Type L 0.1 Bar (1.5 PSI)	FK-CE016-L	FK-CE025-L	FK-CE032-L	FK-CE040-L	FK-CE050-L	FK-CE063-L	FK-CE080-L	FK-CE100-L
Type N 0.5 Bar (7.3 PSI)	FK-CE016-N	FK-CE025-N	FK-CE032-N	FK-CE040-N	FK-CE050-N	FK-CE063-N	FK-CE080-N	FK-CE100-N
Type S 1.6 Bar (23.2 PSI)	FK-CE016-S	FK-CE025-S	FK-CE032-S	FK-CE040-S	FK-CE050-S	FK-CE063-S	FK-CE080-S	FK-CE100-S
Type T 2.5 Bar (36.3 PSI)	FK-CE016-T	FK-CE025-T	FK-CE032-T	FK-CE040-T	FK-CE050-T	FK-CE063-T	FK-CE080-T	FK-CE100-T
Type U 4.0 Bar (58.0 PSI)	FK-CE016-U	FK-CE025-U	FK-CE032-U	FK-CE040-U	FK-CE050-U	FK-CE063-U	FK-CE080-U	FK-CE100-U
Seal Kits								
Fluorcarbon	SK-CBE160V	SK-CBE250V	SK-CBE320V	SK-CBE400V	SK-CBE500V	SK-CBE630V	SK-CBE800V	SK-CBE1000V
Nitrile	SK-CBE160	SK-CBE250	SK-CBE320	SK-CBE400V	SK-CBE500	SK-CBE630	SK-CBE800	SK-CBE1000
Bolt Kits (DIN 912 12.9)	BK414 4x M8x40	BK391 4x M12x50	BK415 4x M16x55	BK416 4x M20x70	BK417 4x M2x75	BK418 4x M30x100	BK419 4x M24x120	BK420 4x M30x130
Bolt Kits (US)	BK84 5/16–18x1.5	BK77 1/2–13x2	BK85 5/8–11x2.25	BK86 3/4–10x2.75	BK87 3/4–10x3.0	BK88 1 1/4–7x4.00	BK135 1–8x5.00	BK90 1 1/4–7x5.5
Recommended Torque Nm (lb.-ft.)	27 (19.9)	94 (69.3)	234 (172.6)	460 (339.3)	460 (339.3)	1570 (1157.9)	790 (582.6)	1570 (1157.9)

\* 1 spring kit contains 10 springs  
 Ordering Example: FK-CE016 ⇒ 10 pcs., type U

**Diagram to Choose the Orifice Ø**



Values measured at a viscosity of 40 cSt (187 SSU) and a temperature of 50°C (122°F).

**Orifices**

There are different orifices available to realize different opening / closing velocities.  
 The control volume of each nominal valve size can be found at the CE series.

**Orifice Kits, Sorted by Thread with Different Diameters**

Orifice Kit	Orifice Kit, sorted by thread with different diameters, consisting of 2 pieces of each marked diameter													
Ø mm (in.)	0.0 (0.0)	0.8 (0.03)	0.9 (0.04)	1.0 (0.04)	1.1 (0.04)	1.2 (0.05)	1.3 (0.05)	1.5 (0.06)	1.8 (0.07)	2.0 (0.08)	2.2 (0.09)	2.5 (0.10)	3.0 (0.12)	
DK-M4	x	x	x	x	x	x	x	x	-	x	-	-	-	
DK-M5	x	x	x	x	x	x	x	x	-	x	-	-	-	
DK-M6	x	x	x	x	x	x	x	x	-	x	-	-	-	
DK-M8	x	-	-	x	-	x	-	x	x	x	x	x	-	
DK-M10x1	x	-	-	x	-	x	-	x	x	x	-	x	x	
DK-1/16NPT	x	x	x	x	x	x	x	x	-	x	-	-	-	
DK-1/8NPT	x	-	-	x	-	x	-	x	x	x	-	x	x	

**Orifice Kits, Thread with One Defined Diameter, 20 pieces per Box**

Orifice kits of one size:

Ordering Examples:

DK-M4-06 ⇒ 20 pcs., orifice size 0.8mm (0.03 in.)

DK-M5-10 ⇒ 20 pcs., orifice size 1.0mm (0.04 in.)

DK-M8-12 ⇒ 20 pcs., orifice size 1.2mm (0.05 in.)

Orifice gauge: Order no. DK-05-30

### Removal CE016 to CE063

The extracting tools consist of tee bar, slide hammer, support handle, and expanding collet (Figure 1).

At first the spacer ring is removed. Next, spring and poppet are withdrawn. Finally, the expanding collet is inserted into the sleeve and braced by means of the tee bar. Using the slide hammer, collet and sleeve are extracted from the cavity.

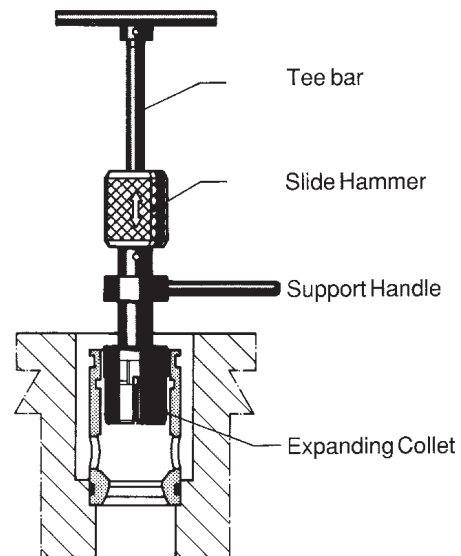


Figure 1

### Ordering Information

Valve Size	Order No.
CE016	090 4600 09779
CE025	090 4600 09780
CE032	090 4600 09781
CE040	090 4600 09782
CE050	090 4600 09783
CE063	090 4600 09784
CE016 to CE063	090 4600 09785

### Removal CE080 to CE100

The extracting tools consist of spacer ring puller (Figure 4), puller (Figure 3), and puller thrust plate. At first the spacer ring is removed. Next the puller is inserted into the sleeve and aligned by the puller thrust plate. Tightening the nut then extracts the sleeve from the cavity.

### Ordering Information

Valve Size	Order No.
CE080	090 4600 10628
CE100	090 4600 10629

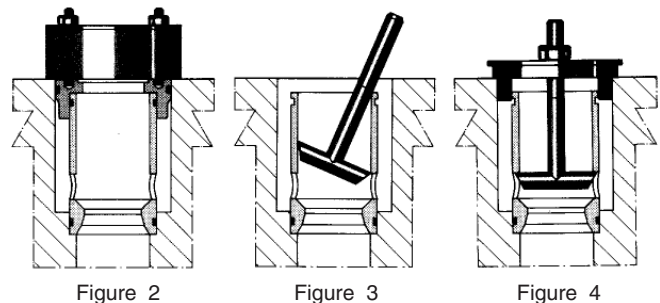


Figure 2

Figure 3

Figure 4

**General Description**

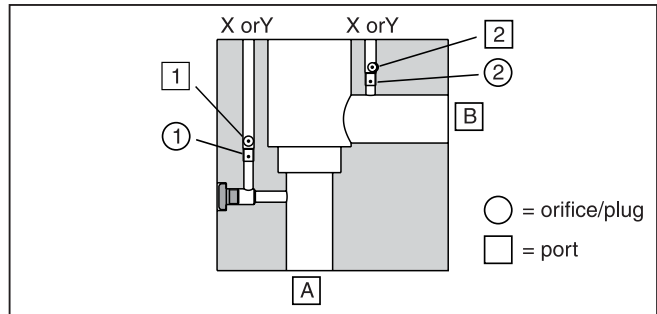
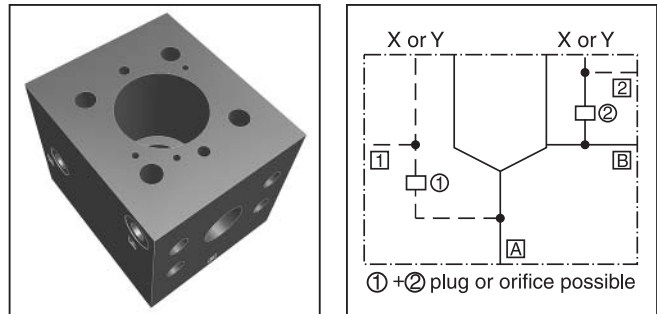
Cartridge Manifold Blocks are bodies for 2/2-way slip-in cartridge valves. They are used in systems with only one cartridge valve without the need to design a specific manifold block.

The pilot ports X and Y can either be connected to A and B or vice versa by changing the mounting position of the cartridge cover.

The wide range of Parker slip-in cartridge valves allows to design solutions for all hydraulic requirements.

**Features**

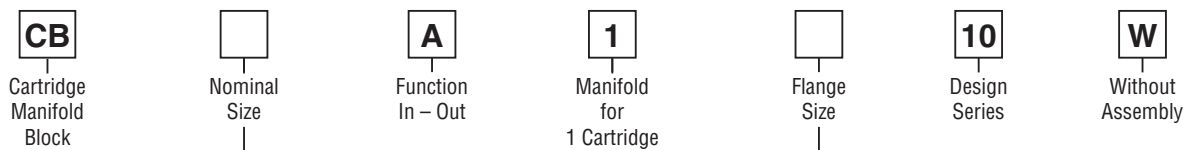
- Flanges SAE 61 or SAE 62 respectively CETOP square flange.
- 2 options for pilot oil supply and drain.
- 7 sizes.



**Specifications**

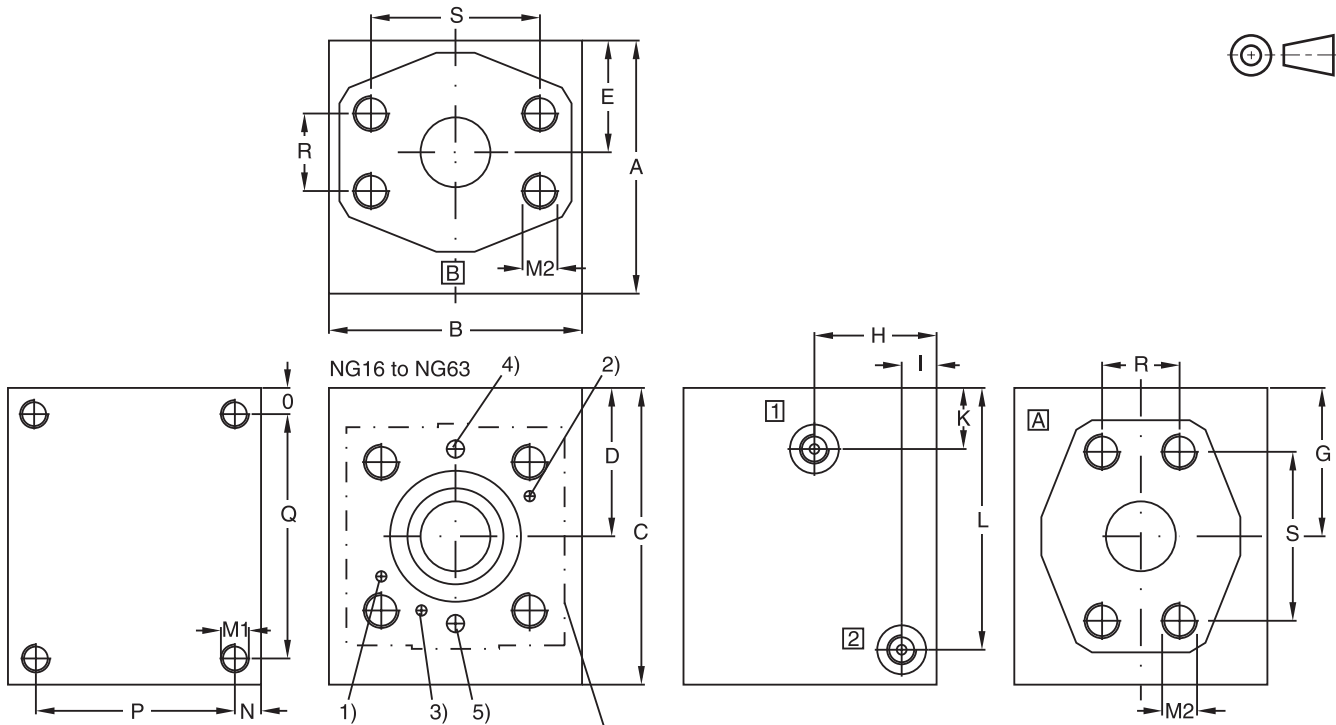
General	
Interface	ISO 7368-B*-2-A/B
Mounting Position	Unrestricted
Maximum Operating Pressure	138 Bar (2000 PSI) to 420 Bar (6090 PSI) depending on p <sub>max</sub> of flanges
Flanges	SAE 61 (3000 PSI Series), SAE 62 (6000 PSI Series) ISO 6162, CETOP Square Flange (400 Bar series)

**Ordering Information**



Code	Description
016	NG16
025	NG25
032	NG32
040	NG40
050	NG50
063	NG63
080	NG80

Code	Size	Flange
34	016	1" SAE 61
35	025	1 1/4" SAE 61
36	032	1 1/2" SAE 61
38	040	2" SAE 61
310	050	2 1/2" SAE 61
312	063	3" SAE 61
64	016	1" SAE 62
65	025	1 1/4" SAE 62
66	032	1 1/2" SAE 62
68	040/050	2" SAE 62
70	063	3 1/2" PN400
80	080	4" PN400



- 1) Location pin for X connected to **B** and **2**, Y connected to **A** and **1**
- 2) Location pin for X connected to **A** and **1**, Y connected to **B** and **2**
- 3) Location pin for pressure functions
- 4) X or Y, orifice/plug **1** (connected to **A** and **1**)
- 5) X or Y, orifice/plug **2** (connected to **B** and **2**)

Dimensions are shown in millimeters only.

Ordering Code	M1	M2	R	S
CB 016 A 1 34 10 W	M8 x 16	M10x20	26.2	52.4
CB 016 A 1 64 10 W	M8 x 16	M12x19	27.8	57.2
CB 025 A 1 35 10 W	M10 x 18	M10x20	30.2	58.7
CB 025 A 1 65 10 W	M10 x 18	M14x22	31.8	66.6
CB 032 A 1 36 10 W	M16 x 30	M12x24	35.7	69.9
CB 032 A 1 66 10 W	M16 x 30	M16x32	36.5	79.3
CB 040 A 1 38 10 W	M16 x 30	M12x24	42.9	77.8
CB 040 A 1 68 10 W	M16 x 30	M20x40	44.5	96.8
CB 050 A 1 310 10 W	M16 x 30	M12x24	50.8	88.9
CB 050 A 1 68 10 W	M16 x 30	M20x40	44.5	96.8
CB 063 A 1 312 10 W	M16 x 30	M16x30	61.9	106.4
CB 063 A 1 70 10 W	M16 x 30	M20x33	102.5	102.5
CB 080 A 1 80 10 W	M16 x 30	M24x50	113.2	113.2

Dimensions are shown in millimeters only.

Ordering Code	Max. Operating Pressure (Bar)	A	B	C	D	E	G	H	I	K	L	N	O	P	Q	Port A and B	Port 1 and 2	Orifice thread 1 and 2	Weight (kg)
CB 016 A 1 34 10 W	350	105.0	80.0	105.0	38.5	34.0	38.5	45.0	13.0	13.5	75.5	10.0	10.0	85.0	85.0	1" SAE 61	G1/4	M5	6.0
CB 016 A 1 64 10 W	420	105.0	80.0	105.0	38.5	34.0	38.5	45.0	13.0	13.5	75.5	10.0	10.0	85.0	85.0	1" SAE 62	G1/4	M5	6.0
CB 025 A 1 35 10 W	280	125.0	100.0	125.0	50.0	43.0	50.0	55.0	15.0	17.0	94.5	10.0	10.0	105.0	105.0	1-1/4" SAE 61	G1/4	M6	11.0
CB 025 A 1 65 10 W	420	125.0	100.0	125.0	50.0	43.0	50.0	55.0	15.0	17.0	94.5	10.0	10.0	105.0	105.0	1-1/4" SAE 62	G1/4	M6	11.0
CB 032 A 1 36 10 W	210	125.0	125.0	145.0	72.5	51.0	72.5	55.0	15.0	31.5	125.0	15.0	15.0	95.0	115.0	1-1/2" SAE 61	G1/4	M6	16.0
CB 032 A 1 66 10 W	420	125.0	125.0	145.0	72.5	51.0	72.5	55.0	15.0	31.5	125.0	15.0	15.0	95.0	115.0	1-1/2" SAE 62	G1/4	M6	16.0
CB 040 A 1 38 10 W	210	145.0	145.0	170.0	85.0	65.0	85.0	70.0	20.0	35.0	150.0	15.0	15.0	115.0	140.0	2" SAE 61	G3/8	M8	25.0
CB 040 A 1 68 10 W	420	145.0	145.0	170.0	85.0	65.0	85.0	70.0	20.0	35.0	150.0	15.0	15.0	115.0	140.0	2" SAE 62	G3/8	M8	25.0
CB 050 A 1 310 10 W	172	155.0	155.0	190.0	95.0	70.0	95.0	70.0	20.0	37.0	170.0	15.0	15.0	125.0	160.0	2-1/2" SAE 61	G3/8	M8	32.0
CB 050 A 1 68 10 W	420	155.0	155.0	190.0	95.0	70.0	95.0	70.0	20.0	37.0	170.0	15.0	15.0	125.0	160.0	2" SAE 62	G3/8	M8	32.0
CB 063 A 1 312 10 W	138	192.0	192.0	240.0	120.0	86.5	120.0	86.5	20.0	45.0	220.0	15.0	15.0	165.0	210.0	3" SAE 61	G3/8	M8	63.0
CB 063 A 1 70 10 W	400	192.0	192.0	240.0	120.0	86.5	120.0	86.5	20.0	45.0	220.0	15.0	15.0	162.0	210.0	3-1/2" PN 400	G3/8	M8	63.0
CB 080 A 1 80 10 W	400	270.0	270.0	270.0	135.0	120.0	135.0	120.0	20.0	35.0	250.0	15.0	15.0	240.0	240.0	4" PN 400	G3/8	M8	139.0

Cartridge Manifold Blocks are supplied with a set of plugs and orifices

Accessories.indd, ddp